
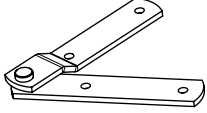
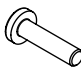

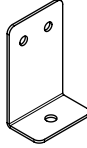

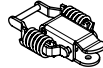
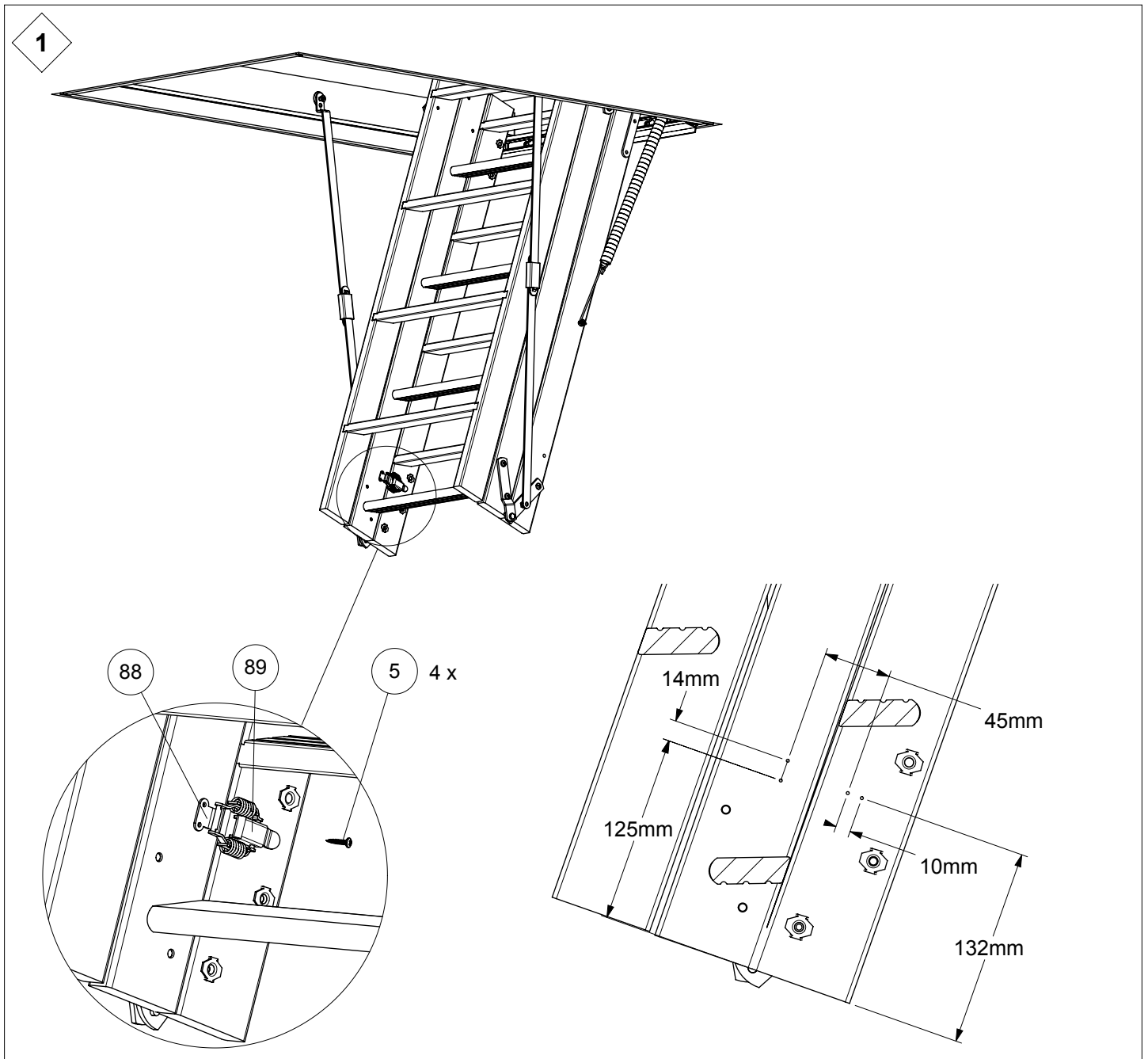
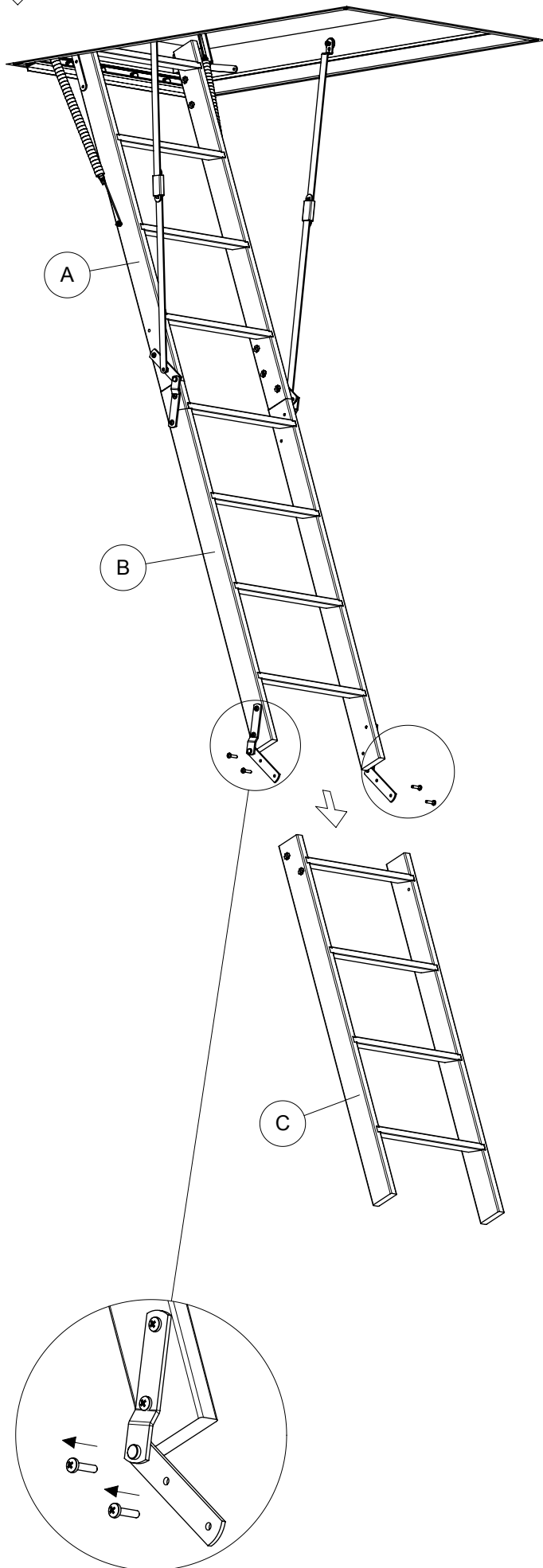


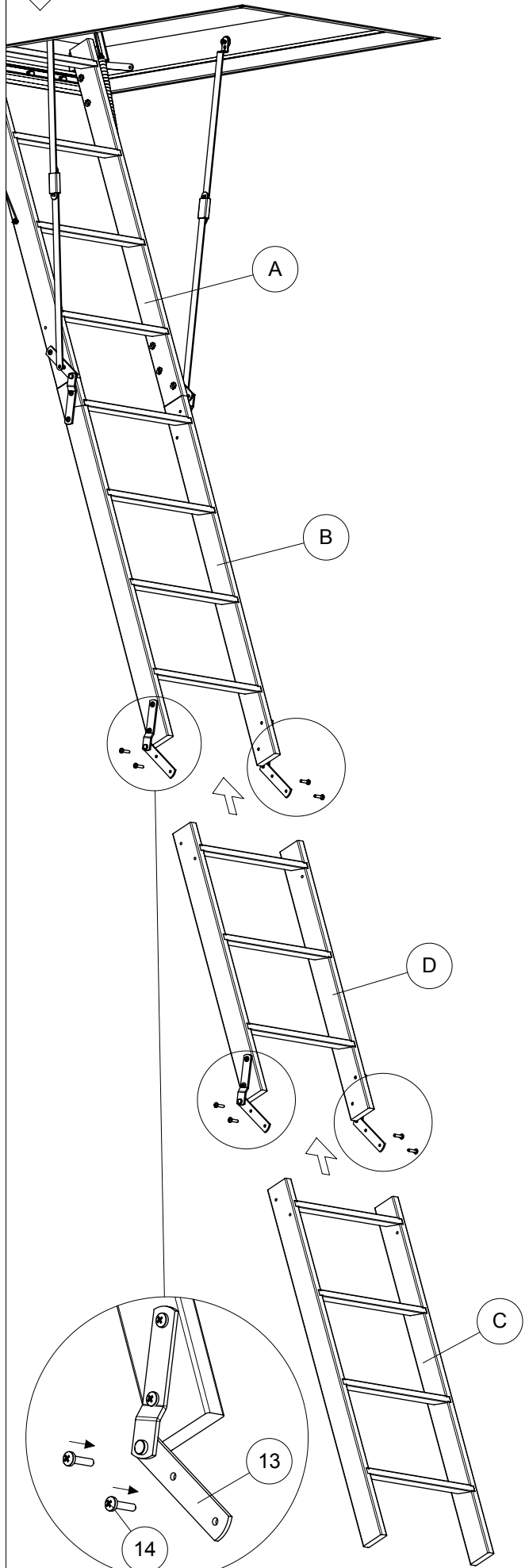
<p>5</p>  <p>Ø3 × 15</p>	<p>13</p> 	<p>14</p>  <p>M6 × 25</p>	<p>IMPORTANT</p> <p>Where floor to ceiling height is greater than 3 m releasing the safety catch whilst supporting the ladder may be difficult. In this case we would recommend the use of a small step ladder for safe operation.</p>
<p>32</p>  <p>Ø4 × 20</p>	<p>48</p> 		
<p>88</p> 	<p>89</p> 		

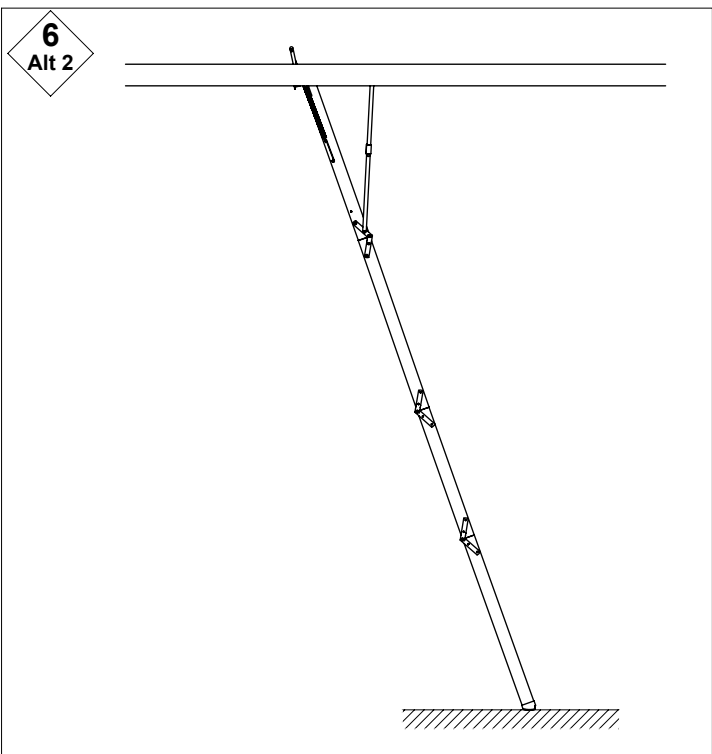
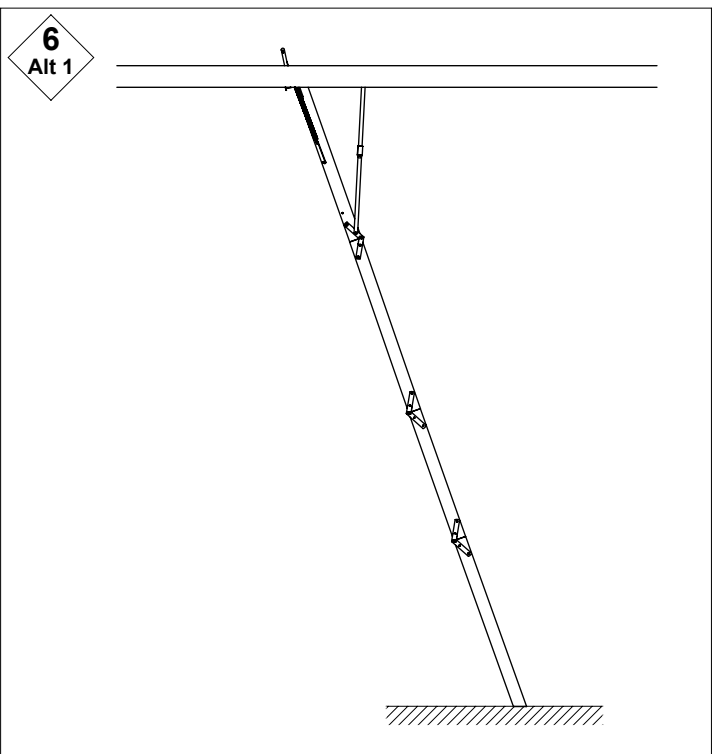
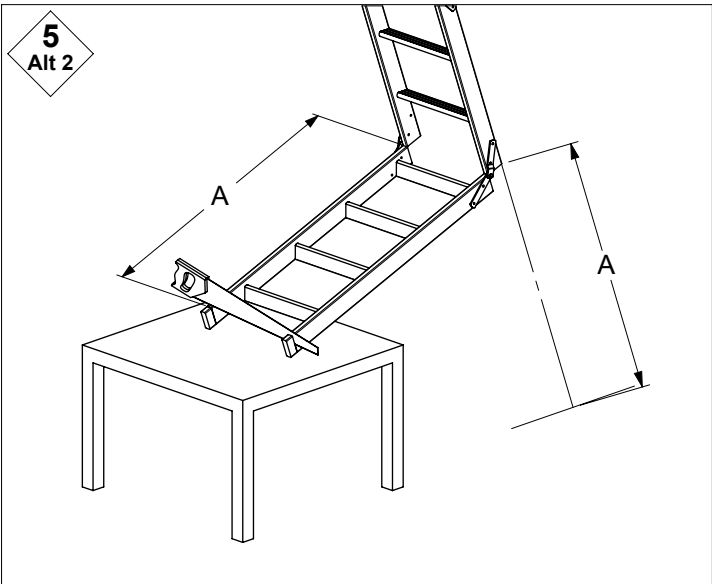
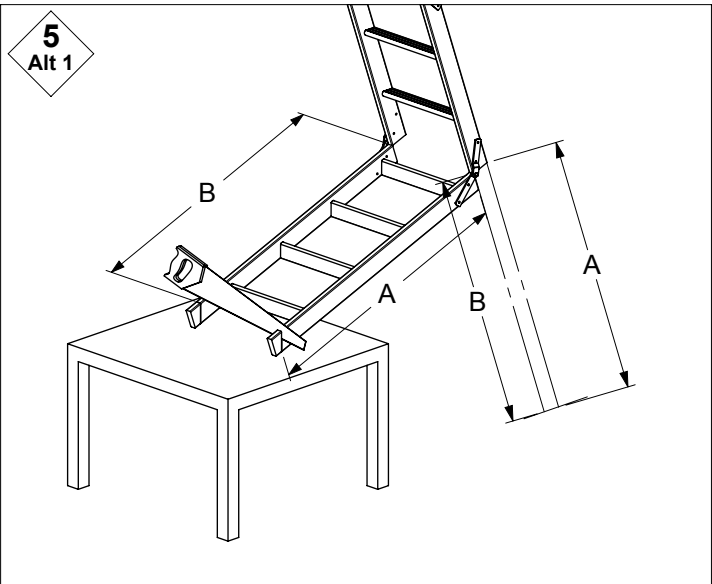
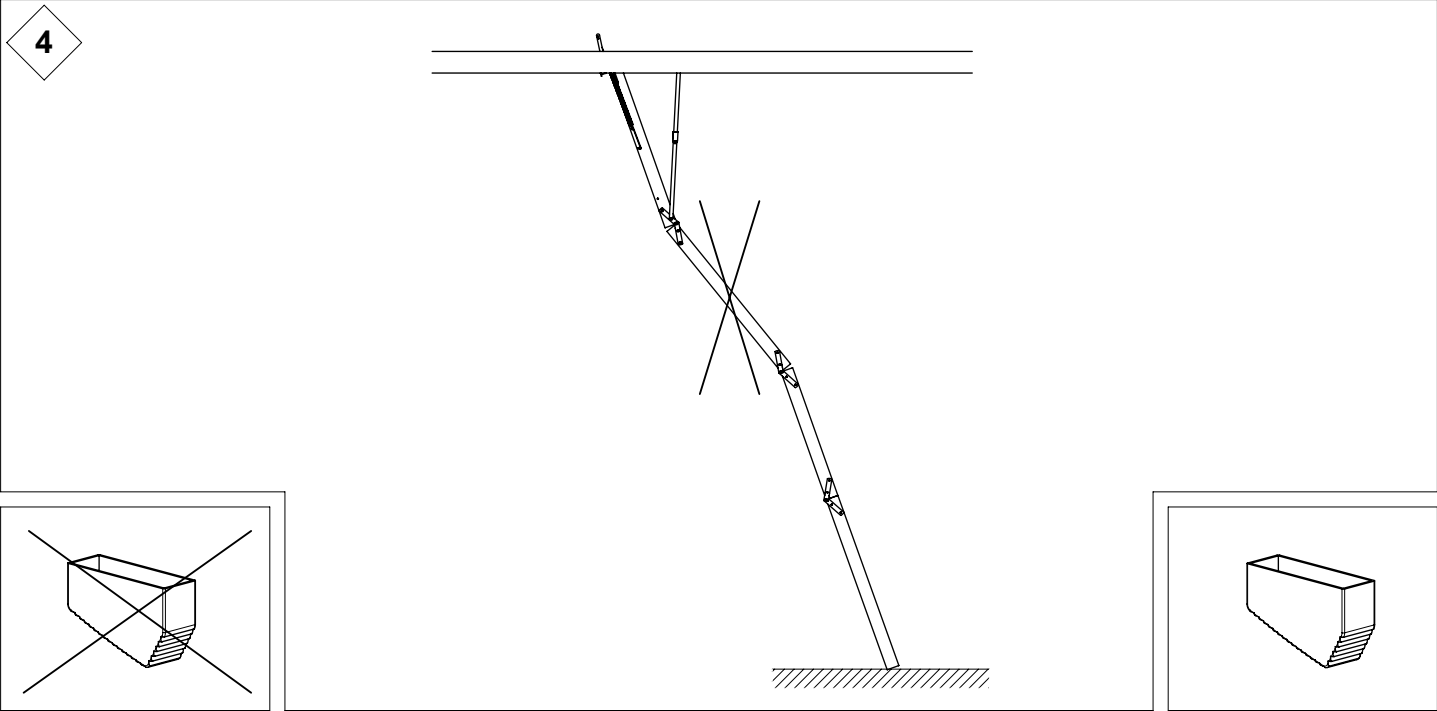


2

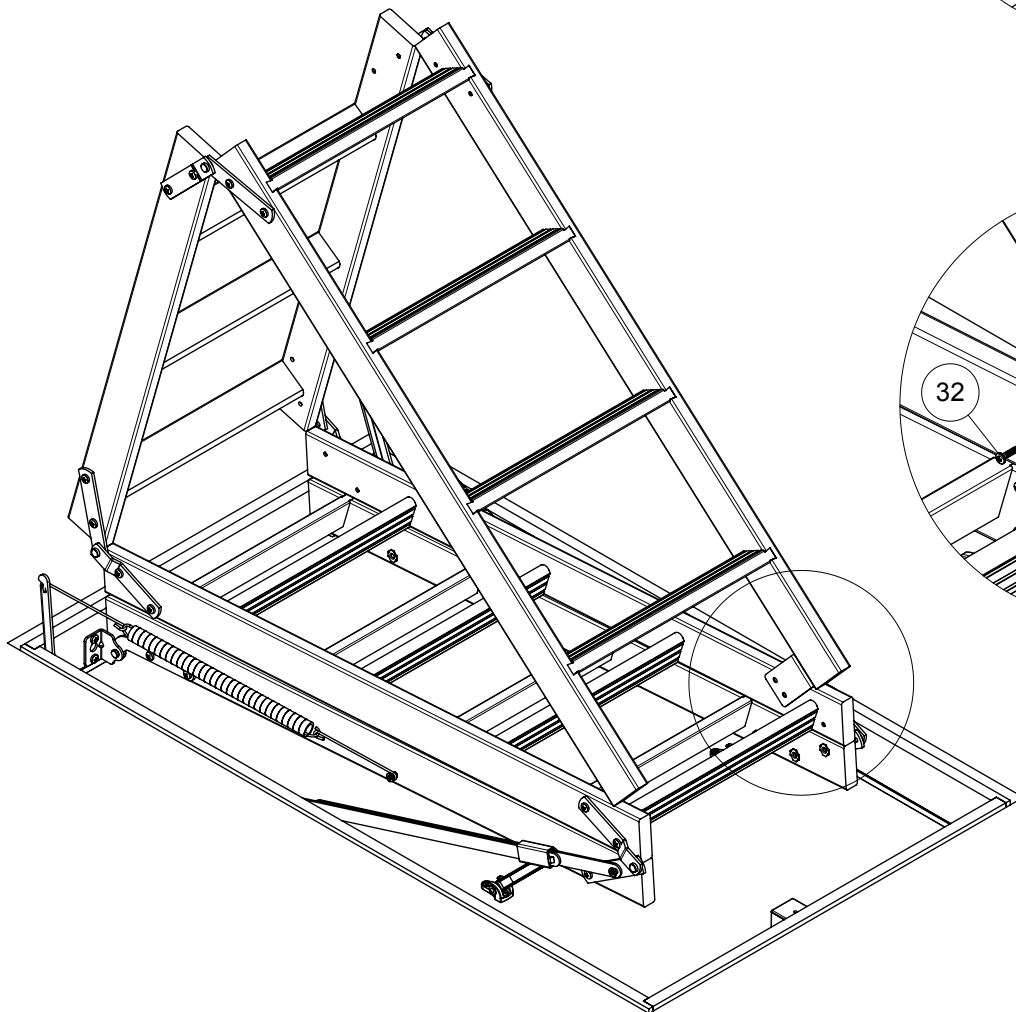


3

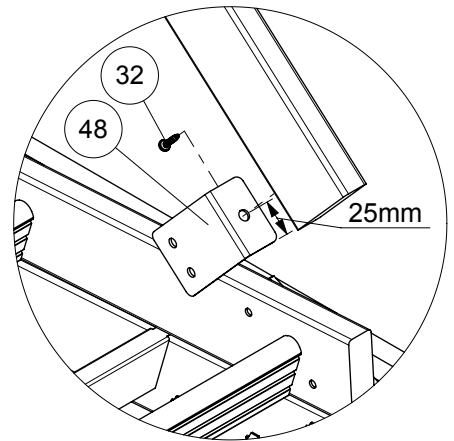




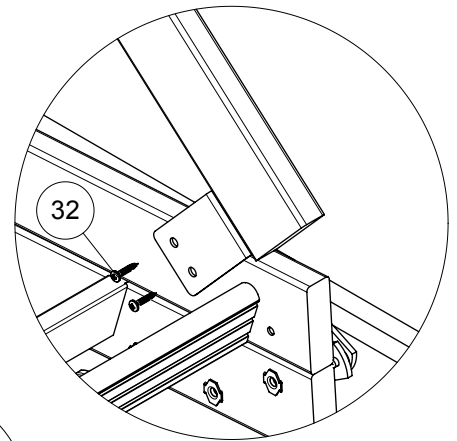
7



I



II



OPERATION INSTRUCTIONS

Always follow the following sequences:

1. Open the trapdoor using the pole provided.
2. Disengage the bottom section from the locking plate.
3. Disengage the safety lock that secures the first 2 ladder sections.
4. Unfold the ladder to the floor by holding both legs with a good grip.
5. To fold and close your loft ladder, follow the above mentioned sequences in reverse.